

# Leak Proof TECHNOLOGY



# RAIN BUSTER®

Since 1983

# 430

Available in  
Three Depths



## Recess Quick Corner

PATENTED DESIGN

**RainBuster 430** Recess Quick Corner is ideal for use in new construction recess window installation. Its innovative design dramatically simplifies recess opening weatherization - It installs easily without cutting or folding, and uniformly flashes vulnerable areas at inside and outside corners of the recess. RainBuster 430 is available in three standard recess depth dimensions (2.0", 2.5", 4.0") for simple "plug and play" installation in the most commonly found framing configurations.

**RainBuster 430-2.0** Designed for 2.0" recess depths in open wall framing configurations. No field modification of the corner necessary.

**RainBuster 430-2.5** Designed for 2.5" recess depths. No field modification of the corner necessary.

**RainBuster 430-4.0** Designed for 4.0" recess depths with no field modification of the corner necessary. Can also accommodate 3.0" and 3.5" recess depths with minor field modification. For depths greater than 4.0", can be field modified at mid-point depth cut line to extend to any depth. See installation procedures for additional instruction.

RainBuster 430's high quality low density polyethylene formulation offers outstanding flexibility, strength, and consistency. RainBuster 430 is part of the RainBuster Leak Free Window & Door Installation System. The system offers a catalog of field proven installation procedures and comes with an enhanced 30 Year Parts & Labor Warranty. The RainBuster Leak Free System is supported in the field by a team of Top Industrial window installation experts that are available for consultation and training. RainBuster 430's formulation provides universal compatibility with the flashings and sealant included in the RainBuster Leak Free System.

### Features:

- Prevents leaks in challenging recess corner areas
- All-in-one corner insert for simple, quick installation. No cutting or folding necessary.
- Available in three recess depth dimensions (2.0", 2.5" & 4.0")
- Only two Recess Quick Corners required per window opening
- Protects three critical leak points: 1) outside corner area, 2) recess sill and jamb area, and 3) inside corner area
- Triangular back leg accommodates single, double, and triple buck framing configurations without field modification.
- Outstanding strength and flexibility
- A part of the RainBuster Leak Free Window & Door Installation System
- For use with RainBuster flashing membranes and RainBuster sealant
- RainBuster installation procedures available through Top Industrial
- Patented Design; U.S. Patent #9,745,791



430-2.0



430-2.5



430-4.0

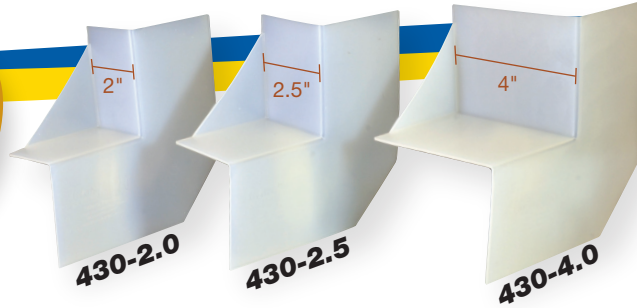


430-4.0  
Field Modified

Part of the  
Leak Free  
Window  
Installation  
System

# 430

PATENTED DESIGN



# RAIN BUSTER®

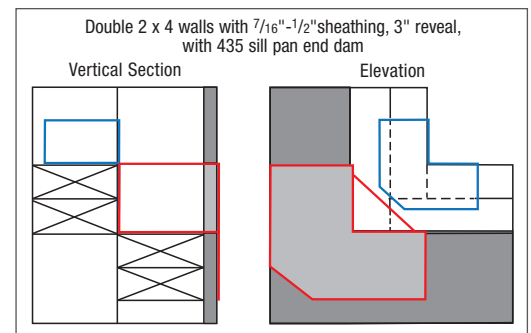
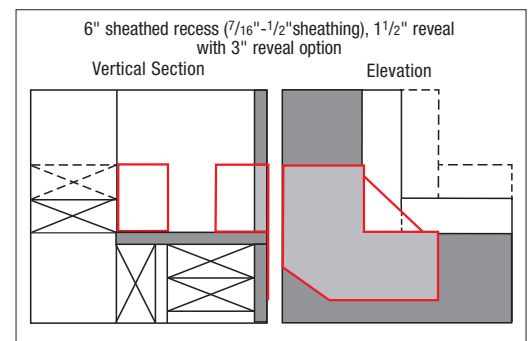
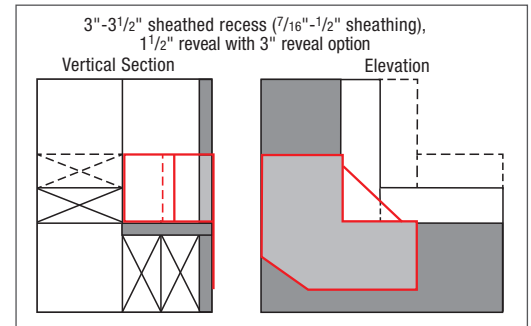
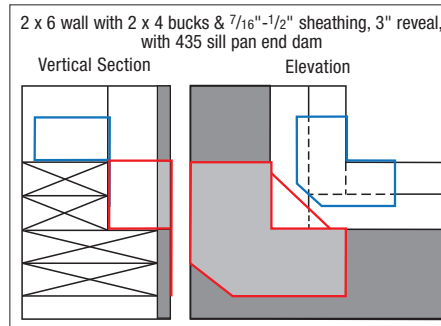
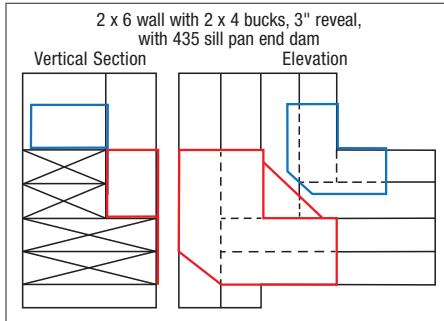
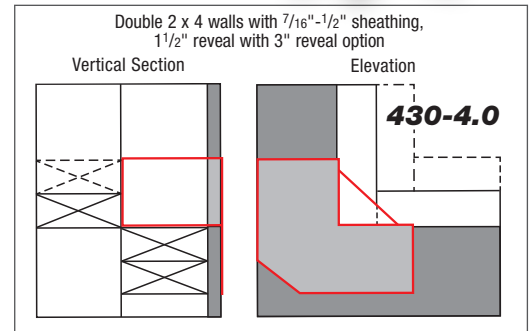
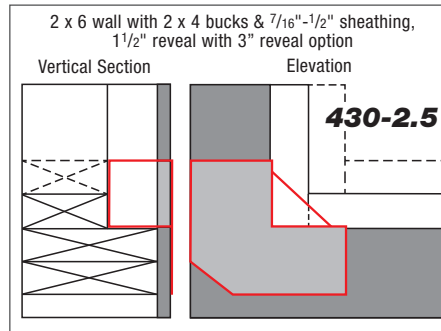
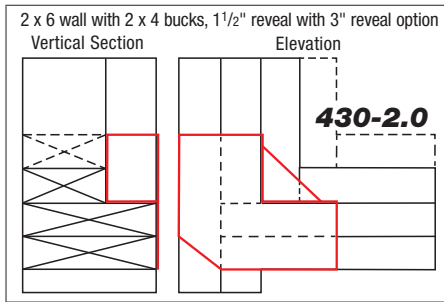
Since 1983



## Recess Quick Corner Installation

RainBuster 430 should be installed with RainBuster flashing membrane and RainBuster 450 sealant as per detailed recess window installation steps found in RainBuster Leak Free Installation System procedures. Contact Top Industrial for procedures and assistance. Note: RainBuster 430 Recess Quick Corners are not intended to remain permanently exposed; Window should be installed within three weeks of recess corner installation.

## ELEVATION AND VERTICAL SECTION DETAILS



## WARRANTY

**30 YEAR WINDOW & DOOR INSTALLATION SYSTEM WARRANTY:** When RainBuster 430 is used as part of the RainBuster Leak Free Installation System, and per RainBuster recommended installation procedures, a 30 Year Parts & Labor Warranty is provided. Contact Top Industrial for further information.

**LIMITED LIFETIME PRODUCT WARRANTY:** Top Industrial, Inc. warrants this product to perform as described on its package and datasheet for a period of 100 years from the date of purchase. Upon proof of purchase, Top Industrial's sole responsibility, expressed or implied, shall be to replace product proven defective and is limited to the stated selling price. This warranty is not transferable from the original purchaser. In no event shall Top Industrial be liable for consequential or incidental damages.

## TECHNICAL SPECIFICATIONS

Thickness	70 mils
Dimensions	430-2.0 D = 2.0", W = 3", H = 3", Outside Wall Leg W = 3", Triangular Back Leg H & W = 2.5"
	430-2.5 D = 2.5", W = 3", H = 3", Outside Wall Leg W = 3", Triangular Back Leg H & W = 2.5"
	430-4.0 D = 4.0", W = 3", H = 3", Outside Wall Leg W = 3", Triangular Back Leg H & W = 2.5"
Tensile Strength (ASTM D638)	1,700 psi
Elongation at Break (ASTM D638)	150%
Hardness, Type D (Shore A)	51
Service Temperature	-20°F to 230°F
UV Resistance	30 Days. Not intended for permanent exposure.